

# Mounting Instructions

1. Use a screwdriver to lift open the bottom cover from the bottom of the light (FIG 1) .
2. Open the bottom cover(Ref. FIG 2).
3. Drill a direct diameter 5MM wire hole in the center of the installation surface (FIG 3) .
4. Thread the wire through the wire hole, connect the red wire to the positive pole and the black wire to the negative pole, and then fix the lamp with 2 screws (Figure 4).
5. Insert the lower cover into the base, (FIG 5) .

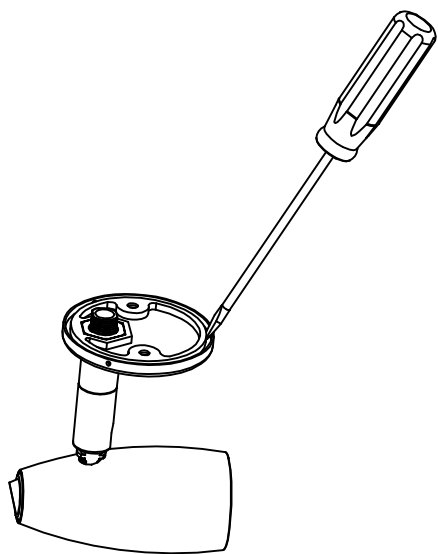


FIG 1

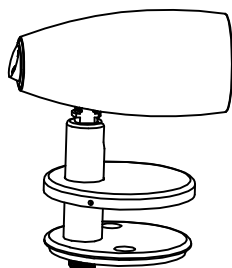


FIG 2

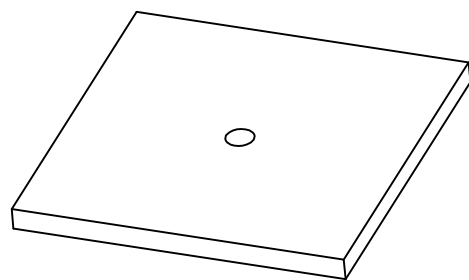


FIG 3

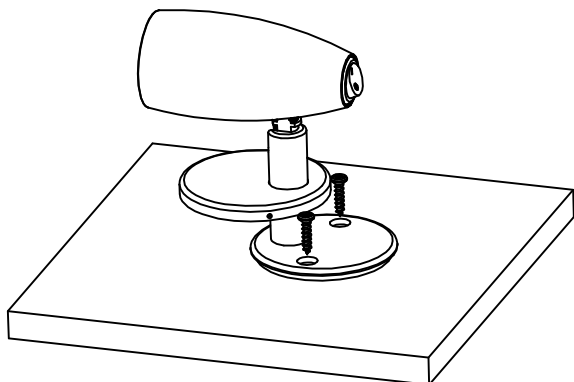


FIG 4

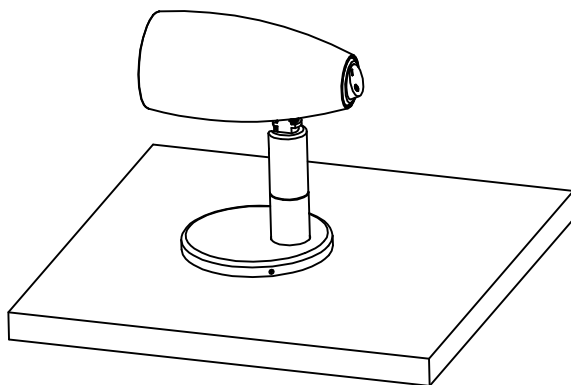


FIG 5